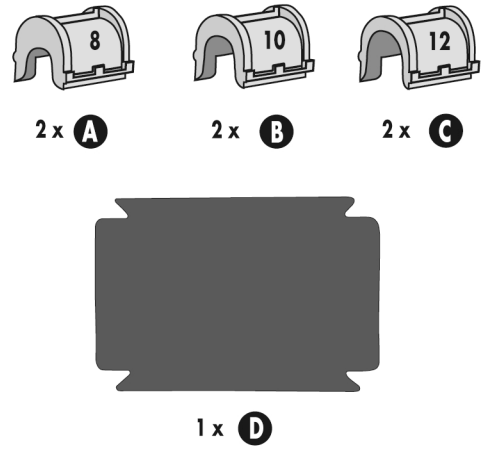


**VARIO 26L QL2.1**  
**VARIO 20L QL2.1**

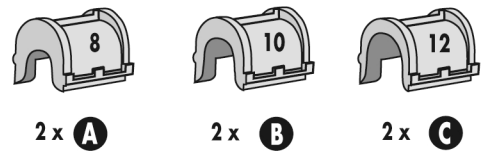
**ORTLIEB** WATERPROOF

- DE MONTAGEANWEISUNG
- GB ASSEMBLY INSTRUCTIONS
- FR INSTRUCTIONS DE MONTAGE
- IT ISTRUZIONI DI MONTAGGIO
- NL MONTAGE HANDLEIDING
- DK MONTERINGSVEJLEDNING
- ES INSTRUCCIONES DE MONTAJE
- SE MONTERINGSANVISNING
- NO MONTERINGSANVISNING
- FI ASENNUSOHJEET
- PL INSTRUKCJA MONTAZU
- JP 装着方法

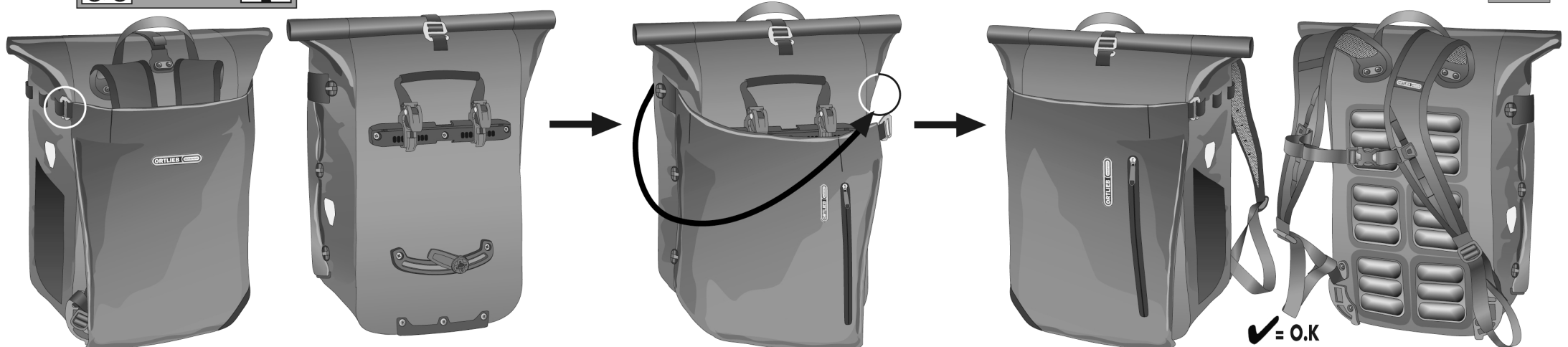
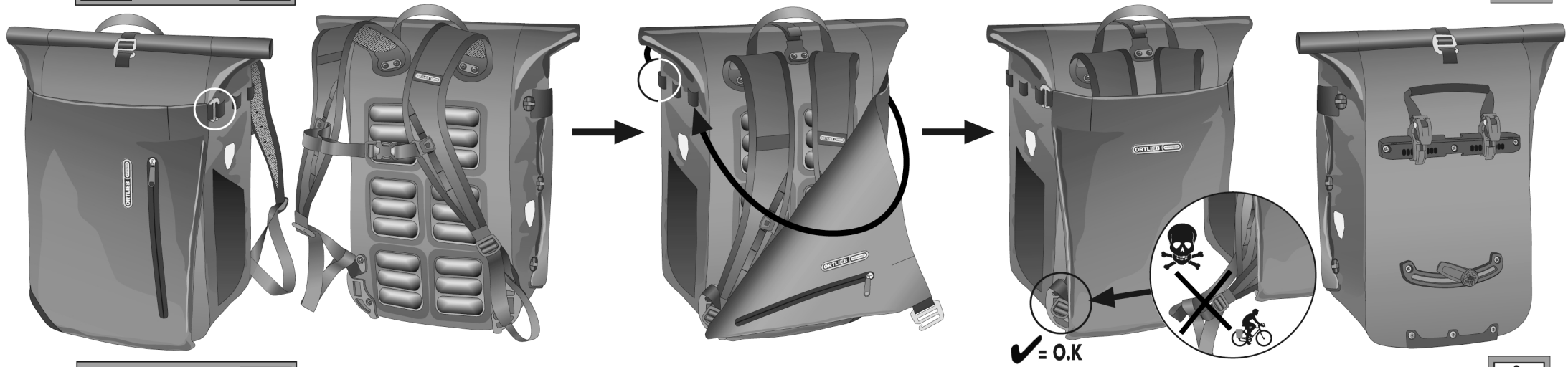
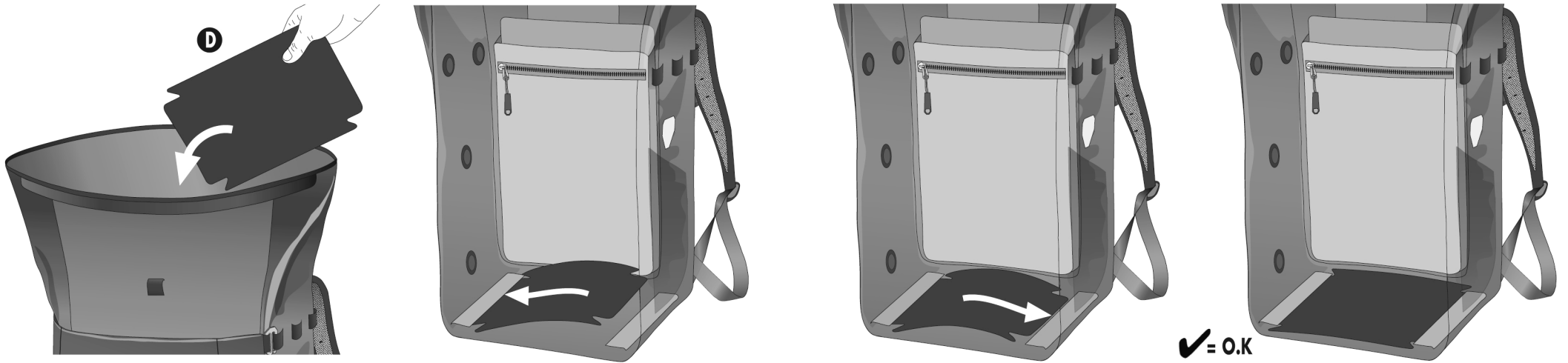
**26L**



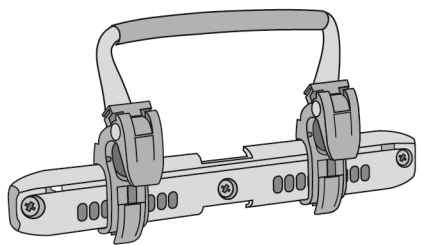
**20L**



**! ONLY FOR 26L VERSION**



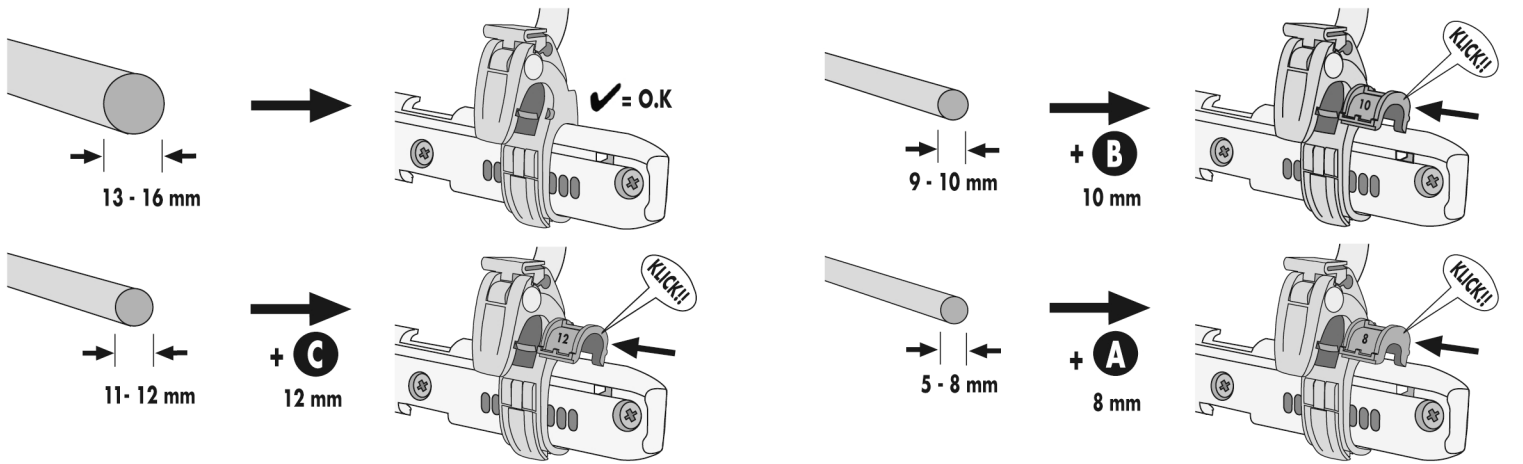
QL2.1



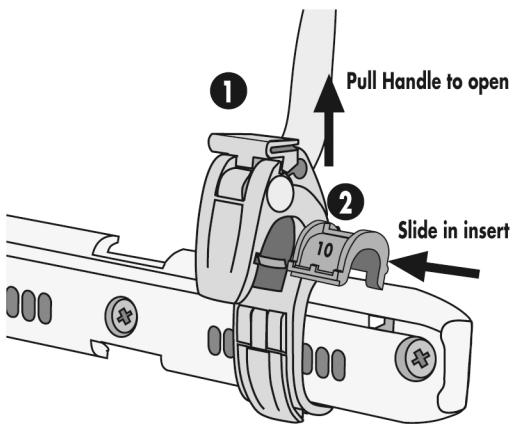
= **A** 8 mm = **B** 10 mm = **C** 12 mm

Anti-Scratch function

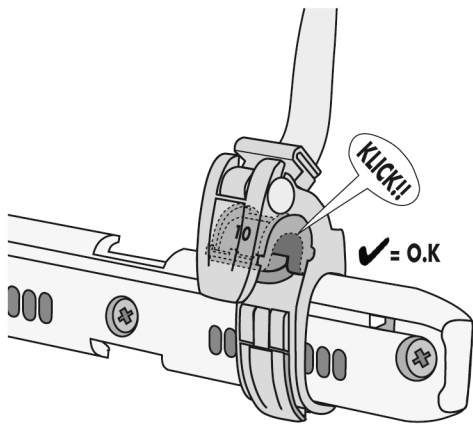
A



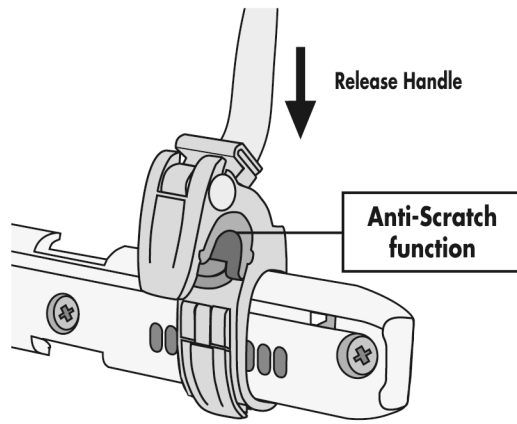
B



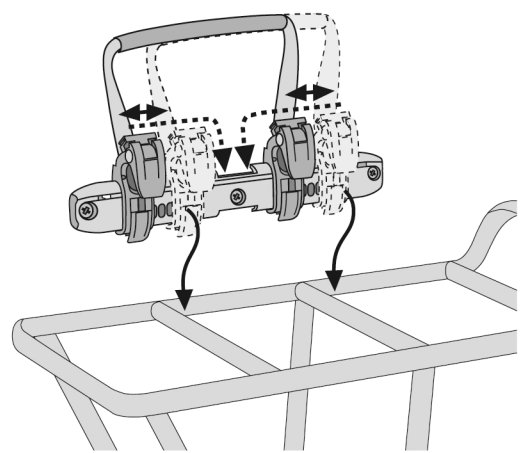
C



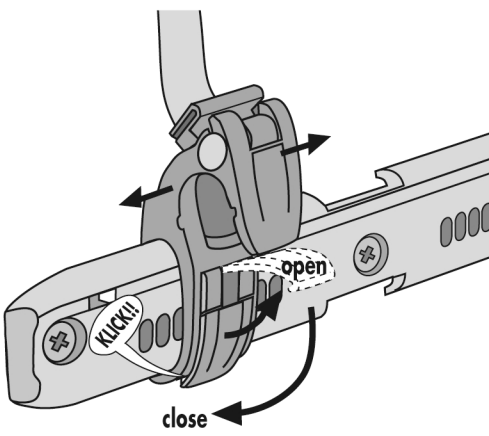
D



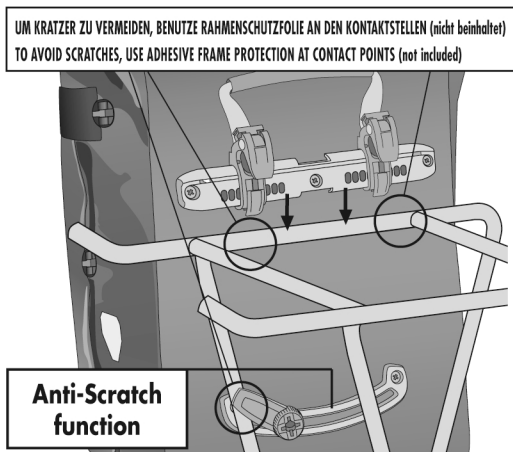
E



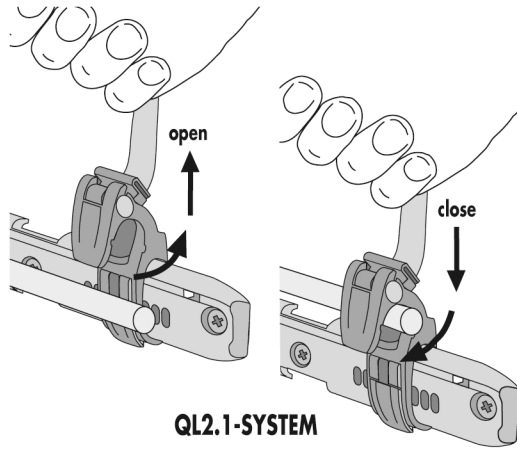
F



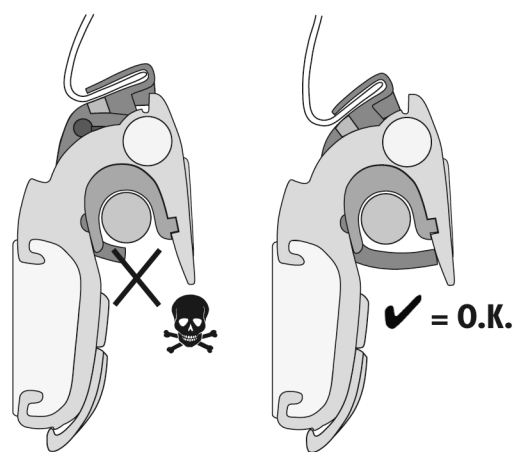
G



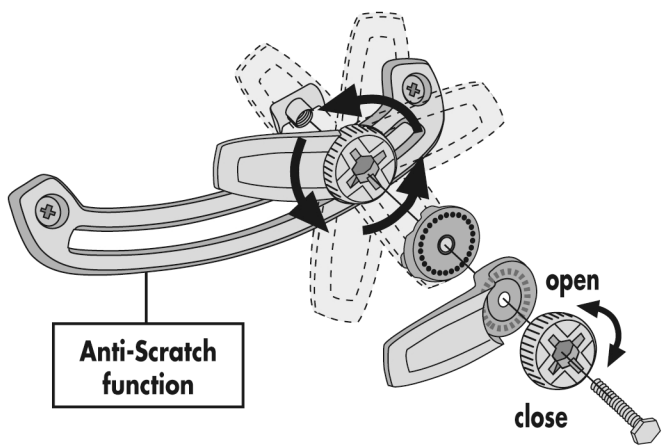
H



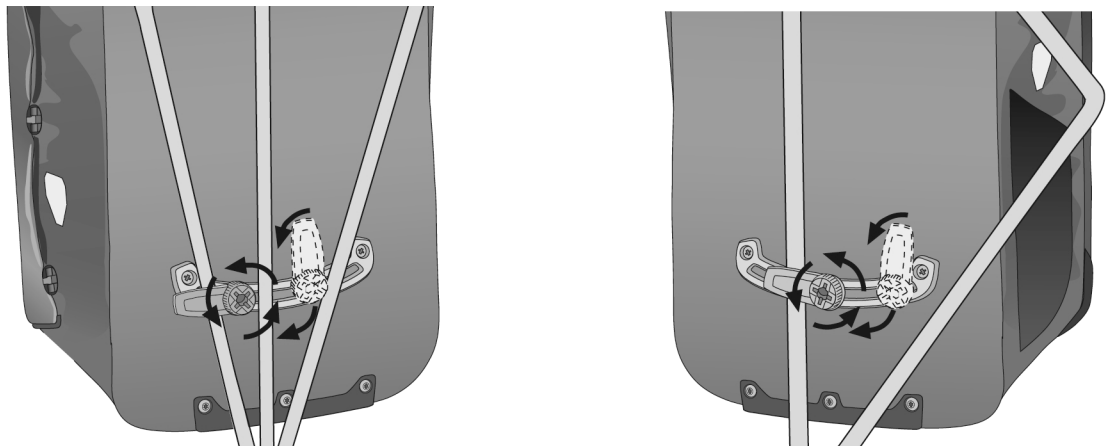
I



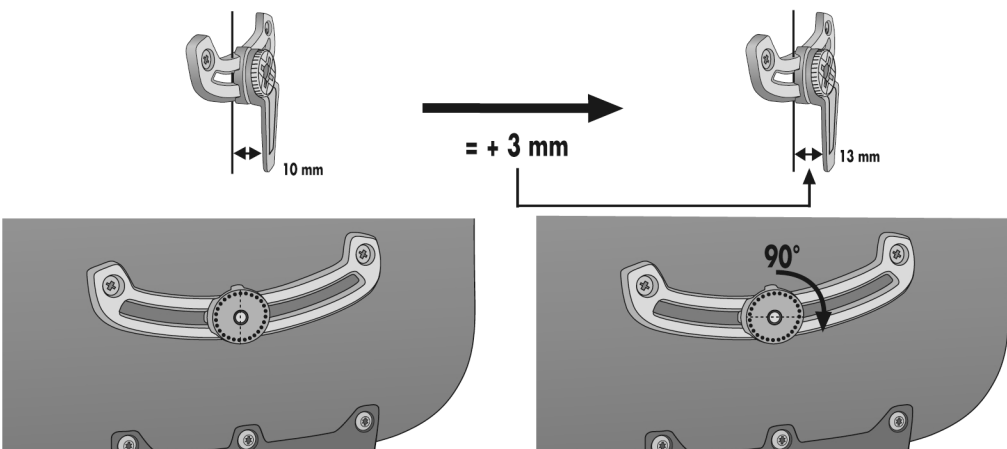
J



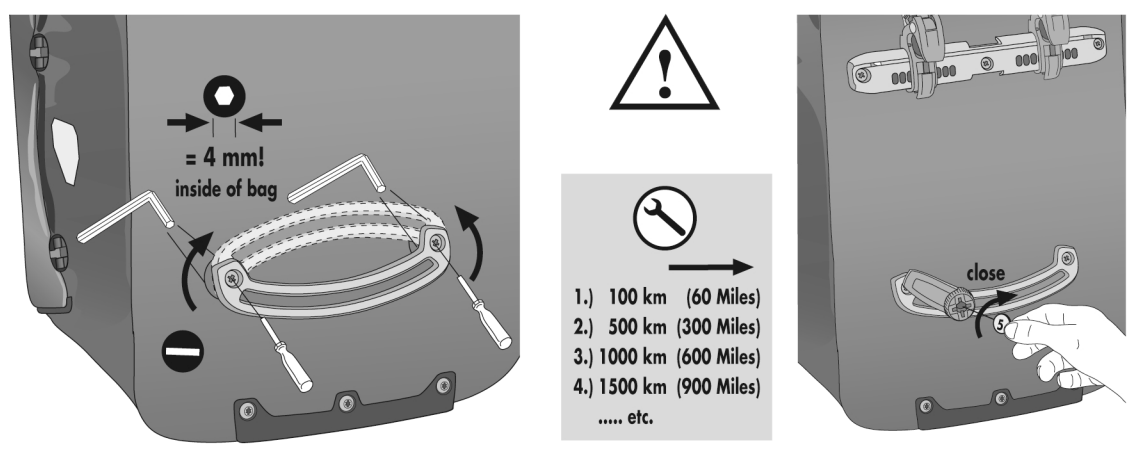
K



OPTION 1



OPTION 2



ACCESSORIES

= + # F78103 RACK THREE

= + # F78104 QUICK RACK

= + # F78105 QUICK RACK LIGHT



= + # E211 QL2.1 MOUNTING HOOKS (18 mm) AND ADJUSTABLE HANDLE



= + # E193 QL2.1 MOUNTING HOOKS (20 mm) AND ADJUSTABLE HANDLE

